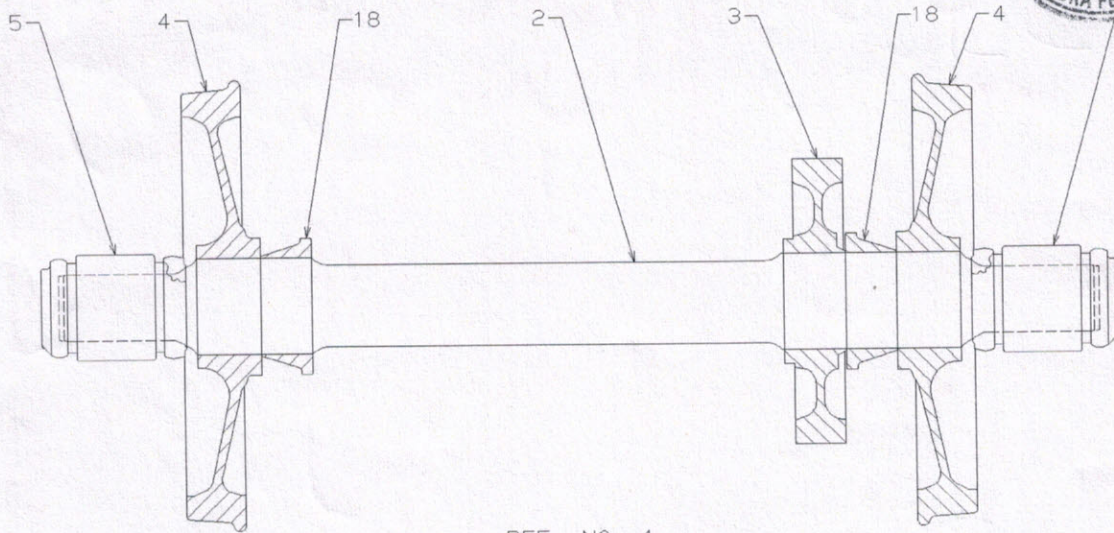
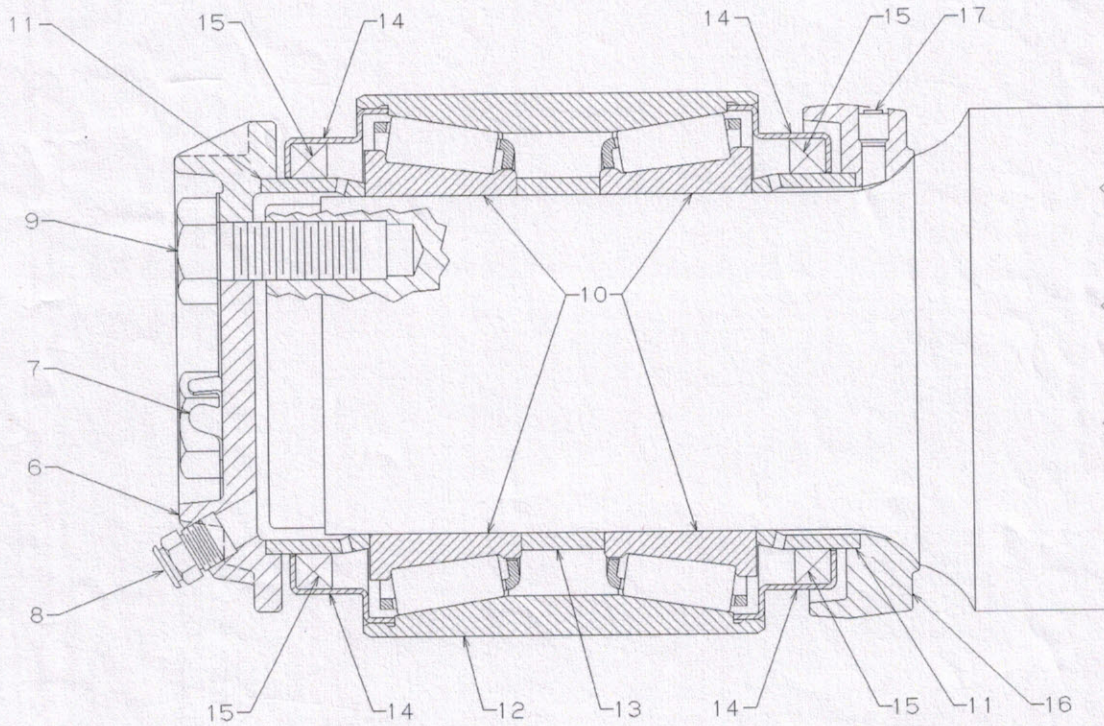




**Axle, Wheel And Gear**



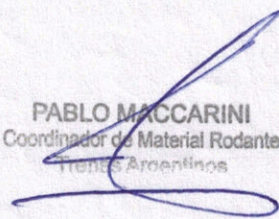
REF. NO. 1



REF. NO. 5

TR40852

**PABLO MACCARINI**  
Coordinador de Material Rodante  
Trenes Argentinos





There are six (6) Axle, Gear and Wheel Assembly. Quantities shown are for one (1) assembly

Asm - Ref. No.	Part Number	Qty.	Description
126-1	9512361	1	AXLE, GEAR AND WHEEL ASSEMBLY.. Truck - 58:19 gear ratio
-2	8370423	1	AXLE.. Finished - 97-1/8 inches long
-3	40049658	1	GEAR.. 58 teeth - Special hardened
-4	9512362	2	WHEEL.. Finished - 40 inch diameter
-5	8442338	2	BOX ASSEMBLY.. Journal bearing - Timken 6-1/2 x 12 - Class "F"
<i>The following component breakdown is for only one 8442338, Journal Bearing Box Assembly.</i>			
-6	8442372	1	CAP.. Axle end
-7	8372102	1	PLATE.. Locking
-8	8189406	1	FITTING.. Lubricating - 1/2-14 MPT
-9	8397178	3	BOLT.. Hex head 1-1/8-7 x 2-1/2 - Cap mounting
-10	8397172	1	BEARING ASSEMBLY.. Includes cage, cone and roller
-11	8397183	2	RING.. Seal wear
-12	8397173	1	CUP.. Double
-13	8397175	1	SPACER.. Cone
-14	8397176	2	SEAL ASSEMBLY.. Bearing
-15	8376097	2	ELEMENT.. Seal (no longer available from EMD)
-16	8397184	1	RING ASSEMBLY.. Backing
-17	8347429	1	FITTING.. Vent
-18	8355893	2	SPACER

53542

PABLO MACCARINI  
 Coordinador de Material Rodante  
 Trenes Argentinos

SECTION 8. TRUCK EQUIPMENT 8-25