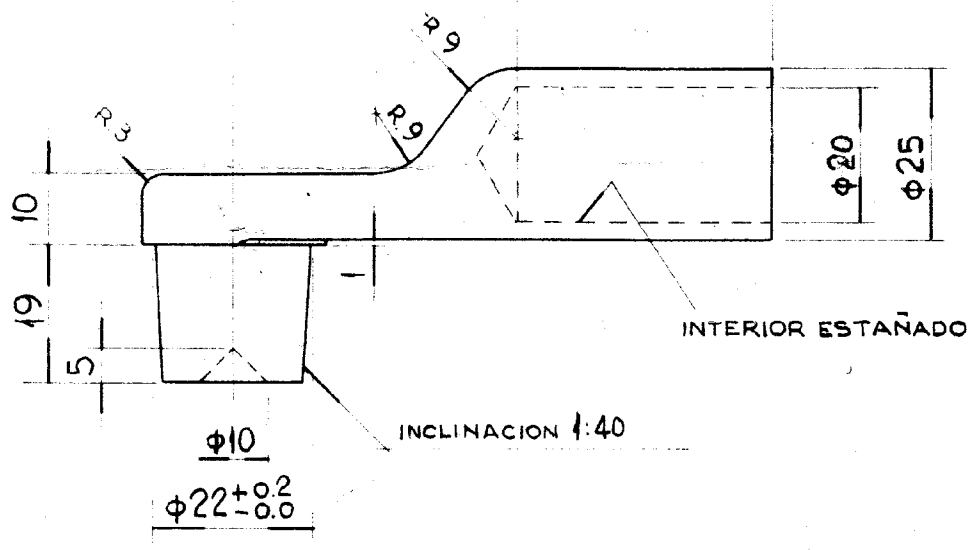
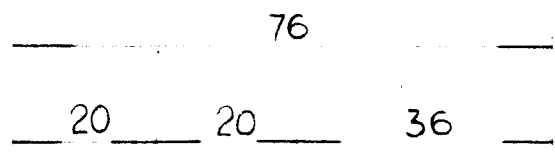
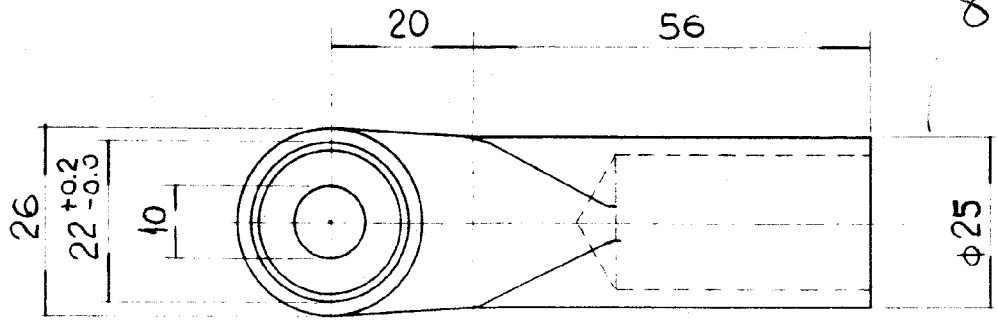


Lucas
2-

FR
20/10



ESPECIFICACION DEL MATERIAL
COBRE TIPO 5 NORMA IRAM 574
RESISTIVIDAD MAXIMA 0.017241 ($\frac{\Omega \text{mm}^2}{\text{m}}$)

N.U.M. 7/0/940/70/03/0/0

PLANO 7588/A

This document was created with Win2PDF available at <http://www.win2pdf.com>.
The unregistered version of Win2PDF is for evaluation or non-commercial use only.
This page will not be added after purchasing Win2PDF.