



***Distributor valve type MH 3f HBG 310
(Basic housing)***

***Parts list
RD 631.502P***

Technical note 145/12



Distributor valve type MH 3f HBG 310 (Basic housing) Parts list	T. n. 145/12	Page 1 / 8
	Issue 0	Date 12.06.2012

Technical note 145/12

Prepared by : **Eng. A. Chichovski** Signature 

Checked by: **Eng. F. Hadzi-Nurev** Signature 

Approved by: **Eng. Z. Zdravkovski** Signature 

REVISIONS

Issue	Date	Description
0	12.06.'12	First issue

Distributor valve type MH 3f HBG 310 (Basic housing) Parts list	T. n. 145/12	Page 2 / 8
	Issue 0	Date 12.06.2012

Distributor valve type MH 3f HBG 310 (Basic housing) K - 631.502P.

Pos.	Pcs.	Part name	Catalogue No.
1	1	Max. pressure limiter Type HBG 310	K - 631.511
2	1	Spring	0326542
3	1	Spring support	K - 630.033
4	1	Supporting ring	K - 630.034
5	1	Diaphragm	0315427
6	1	Pressing plate	K - 630.061
7	3	Circlip	0320552
8	2	Axle seal	0315702
9	1	Valve rod	K - 630.031
10	1	Sealing ring	0315109
11	5	Bolt	0316687
12	1	Spring box za RK < 9 lit.	K - 664.041A
	1	Spring box za RK ≥ 9 lit.	K - 630.041
13	1	Supporting ring	K - 630.047
15	1	Diaphragm	0315435
21	1	Axle seal	0330558
24	1	Diaphragm	0332143
26	1	Cover	K - 630.132
27	3	Gasket	0315036
31	1	Gasket	0315001
32	1	Cover - ass.	K - 630.144
33	1	Gasket	0314994
34	1	Supporting ring	K - 630.153
35	1	Diaphragm	0315443
36	1	Locking ring	K - 630.152
37	1	Pressing plate	K - 630.154 A
38	1	Spring	0326631
39	1	Rod	K - 630.156 A

40	1	Supporting cover - ass.	K - 630.036
41	1	Pressing dish	K - 630.046
42	1	Housing - ass.	K - 631.224
51	1	Gasket	0312479
54	2	Cover	K - 630.226
55	2	Gasket	0419923
62	1	Sieve	0327522
70	1	Spring	0326674
71	1	Cover - ass.	K - 631.134
72	1	Diaphragm	0335444
73	1	Valve - ass.	K - 631.137
74	2	Diaphragm	0315478
75	1	Cover - ass.	K - 631.126
76	1	O - ring	0652842
77	1	Piston	K - 631.121
78	1	Diaphragm	0315516
79	1	Supporting ring	K - 631.120
80	1	Piston	K - 631.125
81	1	Rocking arm - ass.	K - 631.115
82	1	Cover	K - 630.168
83	1	Supporting ring	K - 630.169
84	1	Diaphragm	0315451
85	1	Pressing plate	K - 630.171
86	1	Valve - body	K - 630.172
87	1	Cover	K - 630.173
88	1	Supporting ring	K - 630.174
89	1	Pressing plate	K - 631.080
90	1	Valve - ass.	K - 630.176
91	1	Spring	0334081
92	1	Valve seating	K - 630.186 (M6)
	1	Valve seating	K - 630.186B (M10 x 1)
93	1	O - ring	0330213

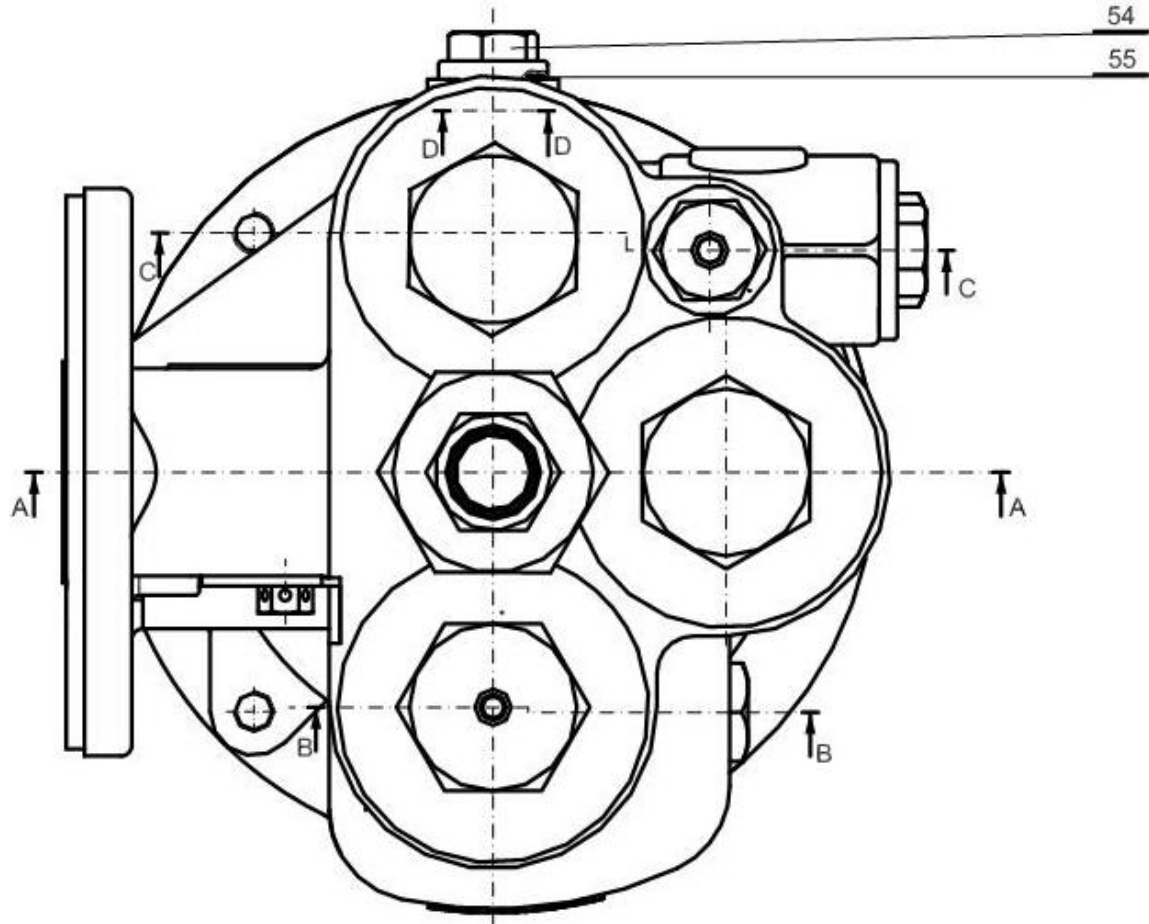
Wabtec MZT a Wabtec company

According to all in-force laws, this document is our copyright property and it must not be copied, loaned or otherwise disclosed to competitors or third parties, for any purpose, without our written permission.

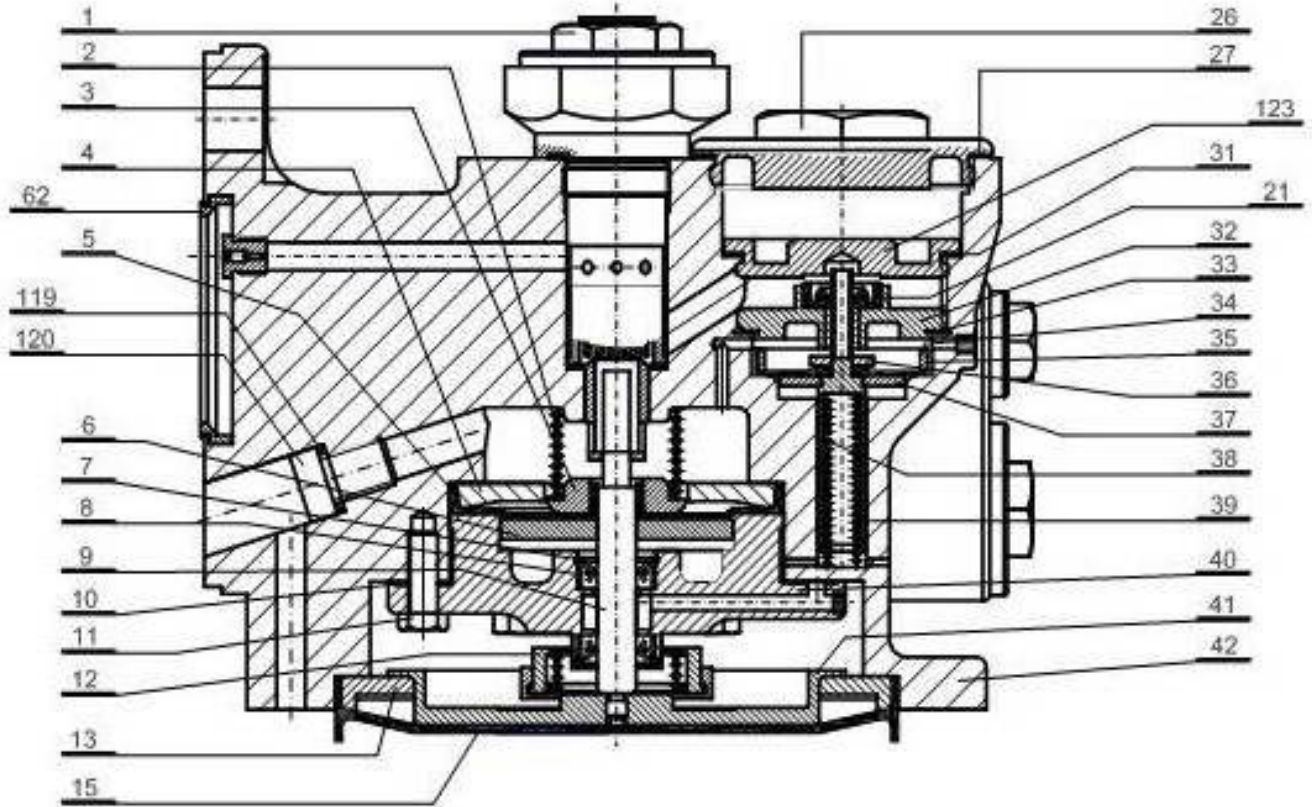


Distributor valve type MH 3f HBG 310 (Basic housing) Parts list	T. n. 145/12	Page 4 / 8
	Issue 0	Date 12.06.2012

94	1	Valve - ass.	K - 630.247
95	1	Gasket	0330477
96	1	Cover - ass.	K - 630.236
97	1	Spring	0326577
98	1	Sieve	0327786
99	1	Gasket	0332348
100	1	Spring	0326585
101	1	Valve - ass.	K - 630.257
102	1	Cover	K - 630.273
103	1	Diaphragm	0314056
104	1	Spring	0326593
105	1	Cover	K - 630.272
106	1	Spring	0326607
107	1	Supporting ring	K - 630271
108	1	Valve tappet	K - 630.269
109	1	Supporting ring	K - 630.270
110	1	Lock nut	K - 630.267
111	1	Tappet for RK ≥ 9 lit.	K - 630.268
	1	Tappet for RK < 9 lit.	K - 630.268-1
112	1	Axle seal	0315931
113	1	Sieve	0653040
119	1	Bolt	K - 650.012
120	1	Gasket	0330345
123	1	Cover	K - 630.143A



Section A – A

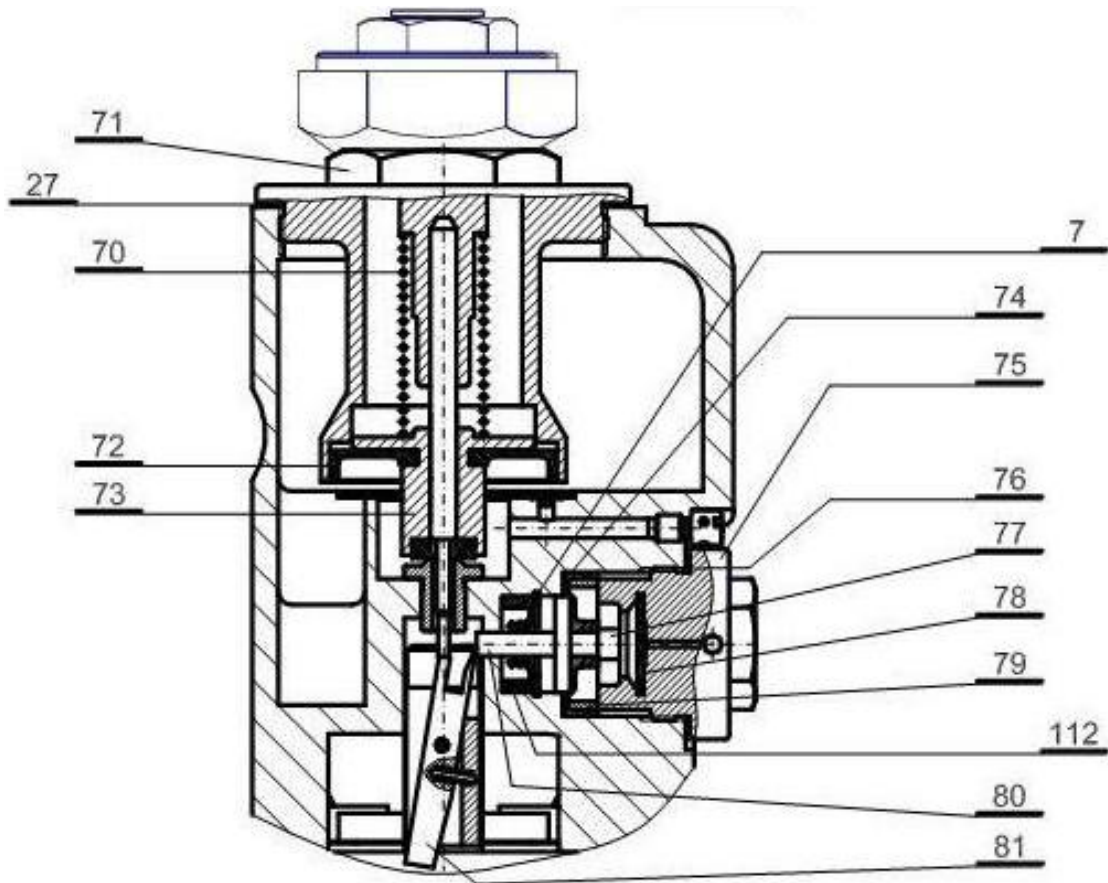


Wabtec MZT a Wabtec company

According to all in-force laws, this document is our copyright property and it must not be copied, loaned or otherwise disclosed to competitors or third parties, for any purpose, without our written permission.



Section B – B

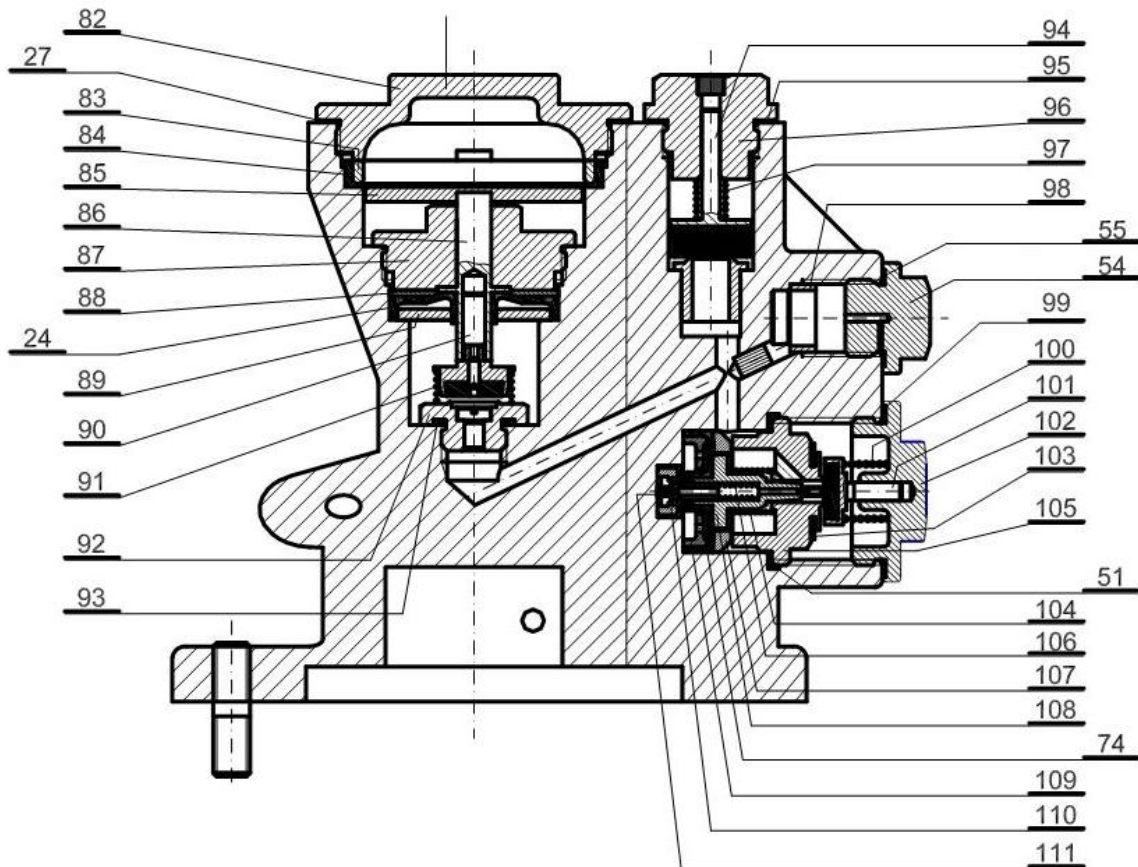


Wabtec MZT a Wabtec company

According to all in-force laws, this document is our copyright property and it must not be copied, loaned or otherwise disclosed to competitors or third parties, for any purpose, without our written permission.



Section C - C



Section D - D

