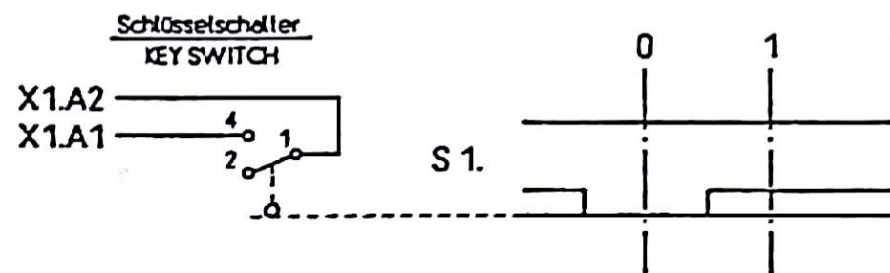
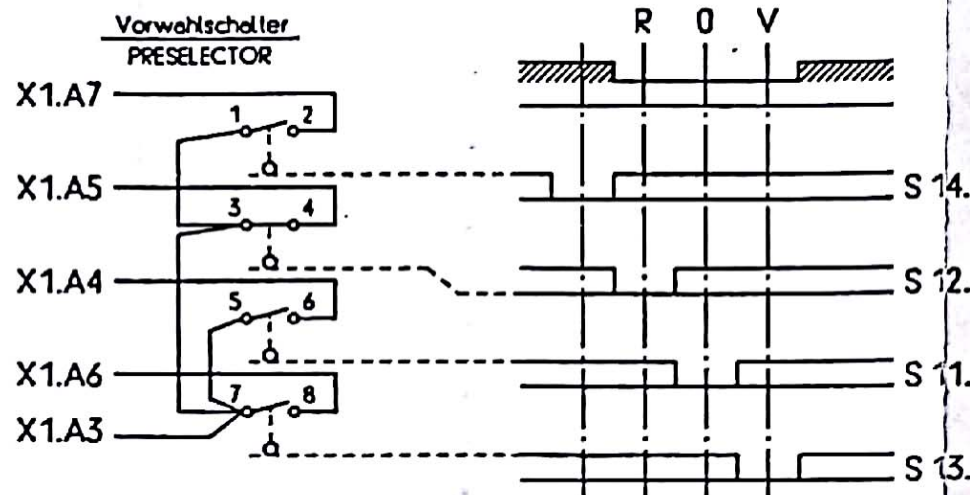
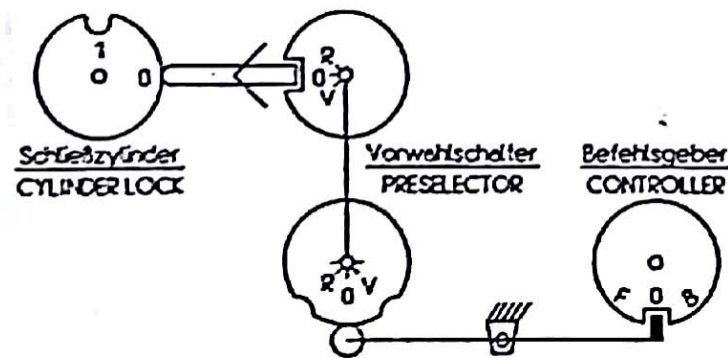


U. DEWELH ON DWG



Mechanische Verriegelung
MECHANICAL INTERLOCK



Verriegelungsbedingungen
CATCHS CONDITION

Schlüsselschalter in Stellung KEY SWITCH ON POSITION	0 [1]	1 [2]
Vorwahlschalter PRESELECTOR [2]	gesperrt, Knebel LOCKED, KNOB	freischaltbar DETACHED SWITCHING
Stellungen POSITION [2] V - 0 - R	in Stellung 0 ON POSITION 0	0 → V; V → 0
Befehlsgeber CONTROLLER	gesperrt, Hebel LOCKED, LEVER	frei DETACHED
Bereiche RANGE F - 0 - B	in der Nullrast ON THE O-NOTCH	Hebel frei beweglich LEVER FLOATING

[1] Schlüssel nur in Stellung 0 abziehbar
KEY CAN ONLY BE WITHDRAWN IN POSITION 0

[2] Der Schlüsselschalter läßt sich von 1 nach 0 nur bewegen, wenn der Vorwahlschalter in 0 steht.
Der Vorwahlschalter kann nur geschaltet werden, wenn der Befehlsgeber in 0 steht.
THE KEY SWITCH CAN ONLY BE TURNED FROM 1 TO 0 WHEN THE PRESELECTOR IS AT 0
THE PRESELECTOR CAN ONLY BE SWITCHED WHEN THE CONTROLLER IS SET IN POSITION 0

[3] Poti-Abgriff zwischen R 1.10 und R 1.12
POT - TAB INTER R1.10 AND R1.12

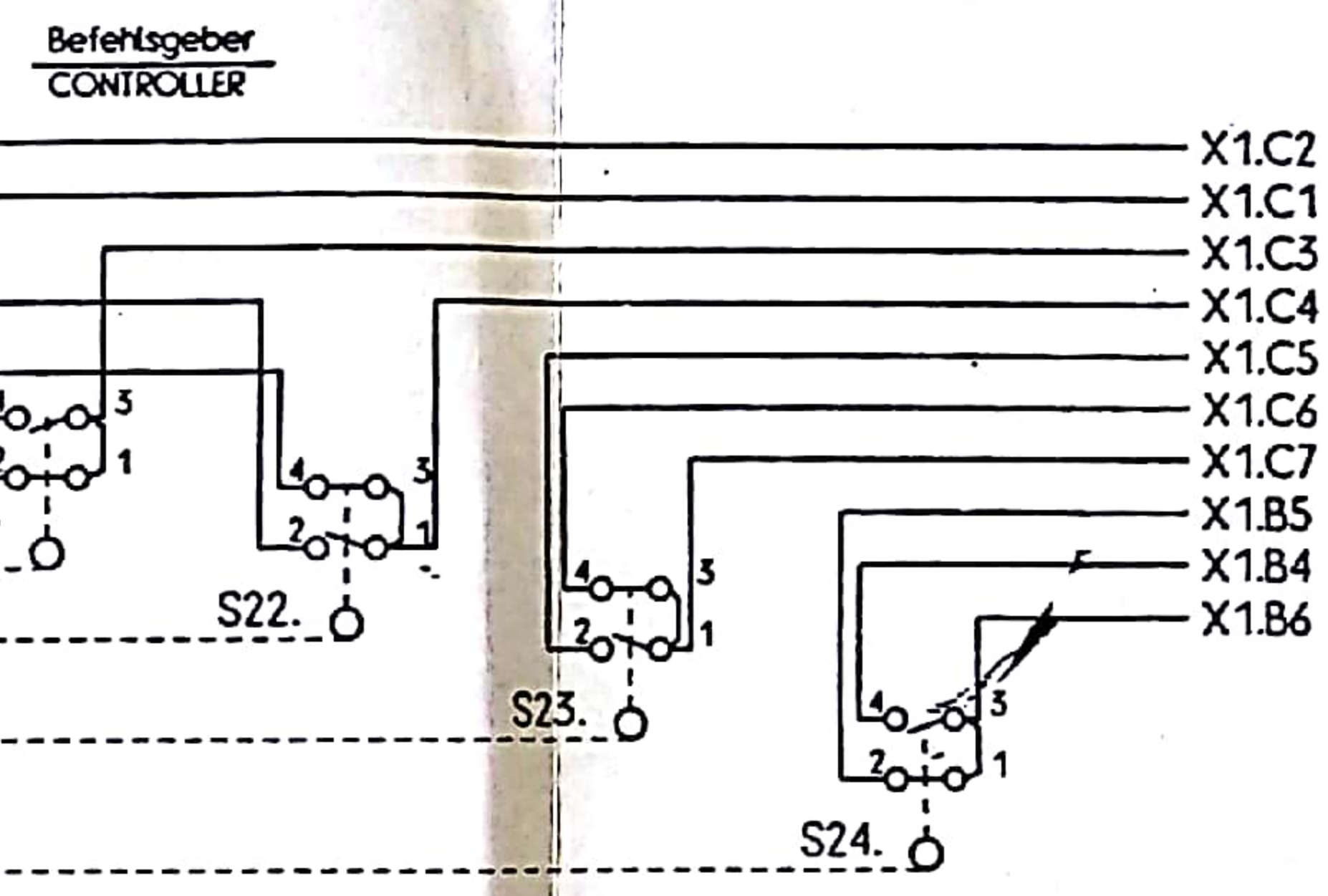
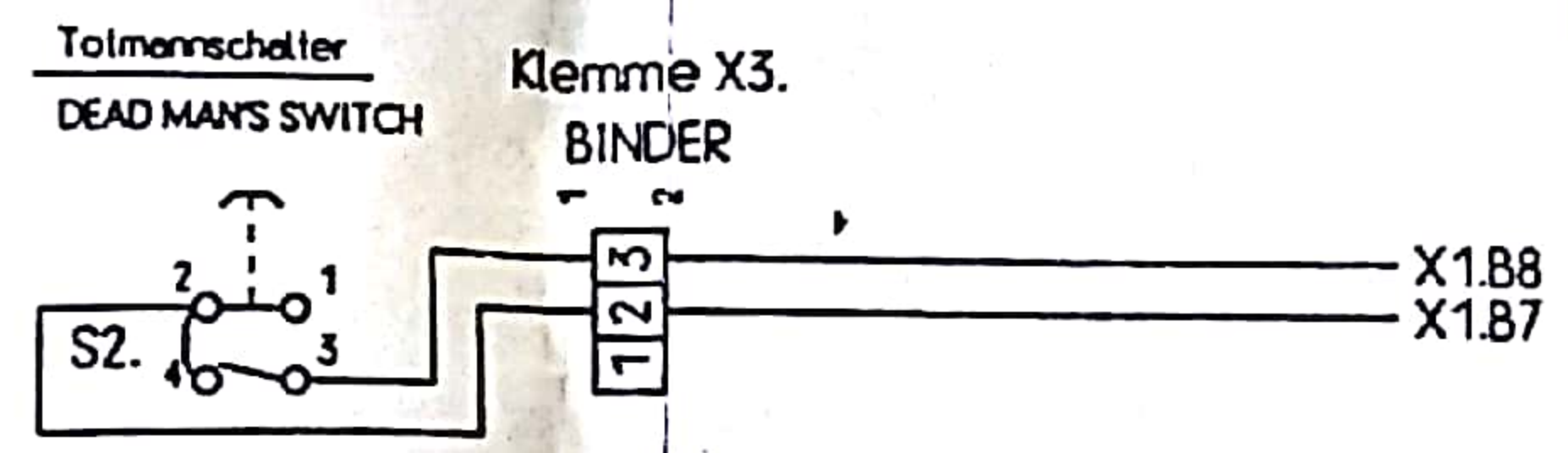
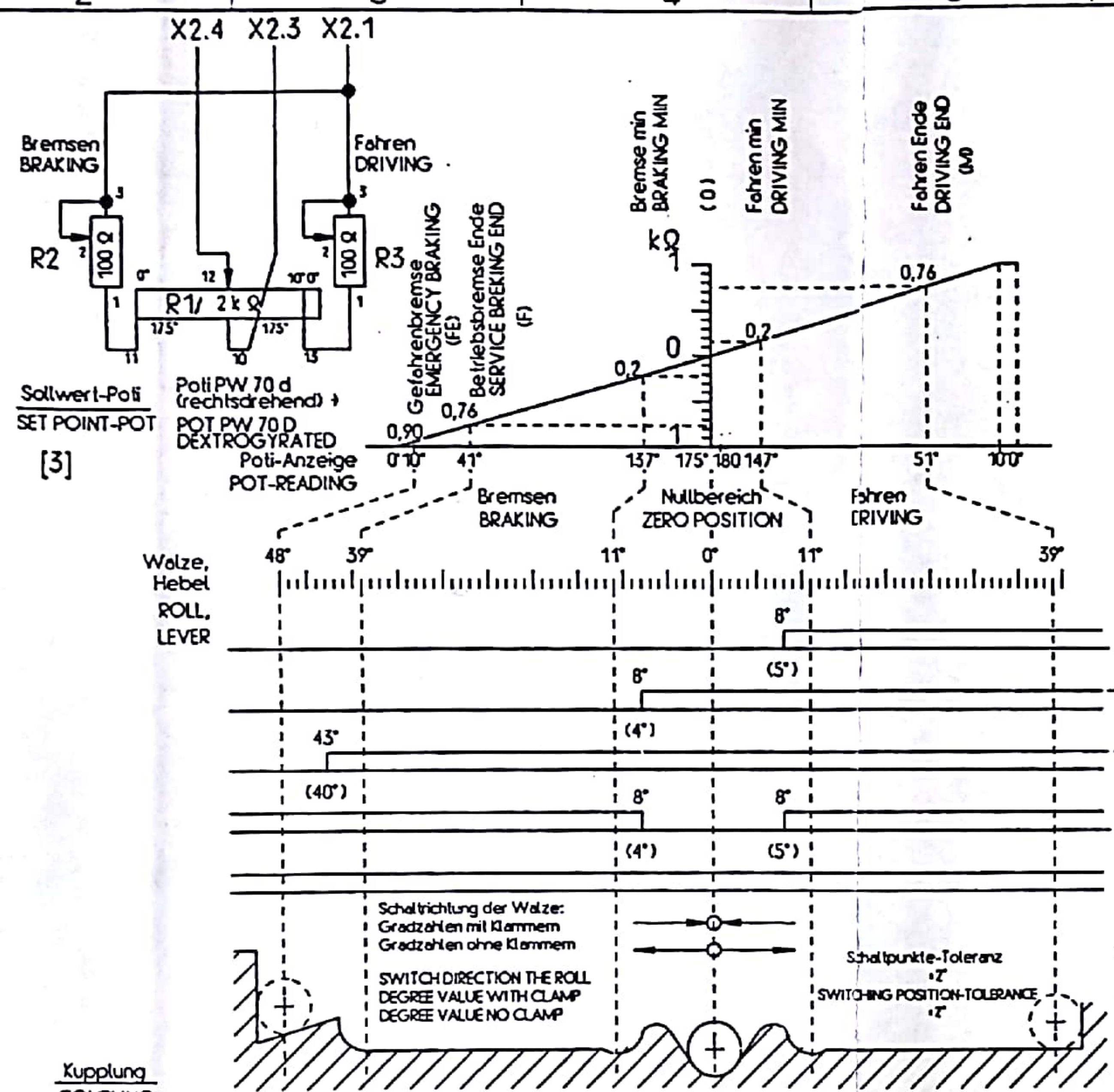
MONTERREY/ARGENTINA

CHANGE
N. J.
0-94-128705
0-74-128605

Siemens Dwg.
V950679

FR NO OF	R DATE	DWG SEC	2 SYM.	SPECIAL CODE	K	S	PRINT	DUP DYST
SKIP	DUP	8/1	7X		0	3	-K	
MITSUBISHI ELECTRIC CORPORATION					TITLE			
DRAWN T. Hirooka					CONNECTION DIAGRAM OF MASTER CONTROLLER			
CHECKED					DWG NO			
DESIGNED					H 3M4347			
APPROVED								
SCALE : NTS								
DATE 94-7-20								

H3M4346 ON OMD



Kupplung COUPLING

	C	B	A
1	S21.4	X	S1.4
2	S21.2		S1.1
3	S21.3		S13.7
4	S22.1	S24.4	S11.6
5	S23.2	S24.2	S12.4
6	S23.4	S24.3	S13.8
7	S23.1	X3.2	S14.2
8		X3.3	
9			

X2.

8		7	6
2		1	R3.3
3	R1.10		4

- Bestückung :
PRINTED
- S11 ... S14 - Siemens 5LF1200 - 4ZZ99-D-6941 - 601
 - S21 ... S24 - Schaltboj S826es
 - S1 - Schaltboj S840 r20
 - S2 - Lumiles C1 - 131 - 025 +01 - 931.0
 - R1, Poti Pw70d - FSG A434292
 - R2, R3 - Bourns 3059Y
 - X1. - Kupplung - Herling Hen 25 D
 - X2. - Kupplung - Herling Hen 8 U
 - X3. - Klemme - Wieland 8006 / 3 DSKR

Übersetzung:
Hebel - Walze - Poti
1 : 1 : 3,43

GEAR:
LEVER - ROLL - POT
1 : 1 : 3,43

CHANGE
0-7X-128705
0-7X-128605

Siemens Dwg.
T950679

FR NO OF R DATE DWG SEC. 2 SYM. SPECIAL CODE k S PRINT DUP DIST

SKIP DUP 8/1/70 3 R

MITSUBISHI ELECTRIC CORPORATION

DRAWN T. Hirooka
CHECKED J. Kuroki
DESIGNED A. Kuroki
DATE 4-7-70

TITLE
CONNECTION DIAGRAM OF MASTER CONTROLLER

DWG NO
H3M4346

MONTERREY / ARGENTINA